

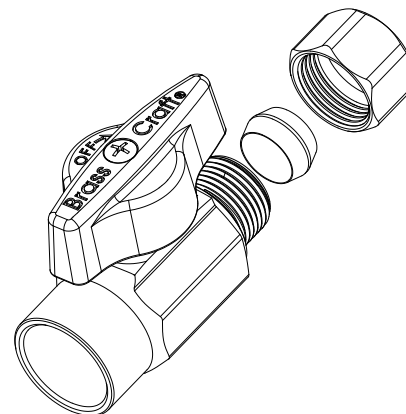
Job Name		Engineer / Architect	
Job Location		Wholesaler	
Submittal Date		Contractor	

KTR04X / KTR14X 1/4 Turn Straight Ball Stop - Sweat x Compression

Use: For use only in potable water distribution systems, hot and cold, in accessible locations only.

Design Features:

- **Machined brass ball** is specially engineered and mated with PTFE seats to provide smooth operation without freeze ups even after long periods of non-use
- **Two high-performance o-rings** withstand high temperatures and corrosion from harsh water environments
- **Machined, one-piece brass body** provides strength, durability, and long-lasting performance
- **Brass stem** is assembled from the inside out with two o-rings to ensure safe, reliable performance
- **Plated stem** provides corrosion resistance and prevents o-ring damage after long periods of non-use
- **Exclusive, chrome-plated metal handle** is designed for durability, corrosion resistance, and a sleek appearance
- **Easy-to-remove handle** with screw attachment protects accidental stop operation during rough-ins
- **100% leak tested**
- **No Lead**



Operating Specifications:

Temperature: 40° - 180° F
Pressure: 125 PSI maximum

MATERIAL SPECIFICATIONS	
Body	Brass or brass, chrome plated
Stem	Brass, plated
Seat	PTFE
Ball	Brass, plated
Stem o-ring	Rubber
Handle	Zinc, die cast plated
Handle Screw	Steel, zinc plated
Compression Sleeve	Brass
Compression Nut	Brass or brass, chrome plated

This specification and all information contained herein is the confidential and exclusive property of BrassCraft Manufacturing Co., and shall not be disclosed to others without the written consent of BrassCraft Mfg. This specification must be returned to BrassCraft Mfg. if requested.

400.06 KTR04/14 1/4 Turn Straight Ball Stop - Sweat x Compr REV 04/16

BrassCraft®

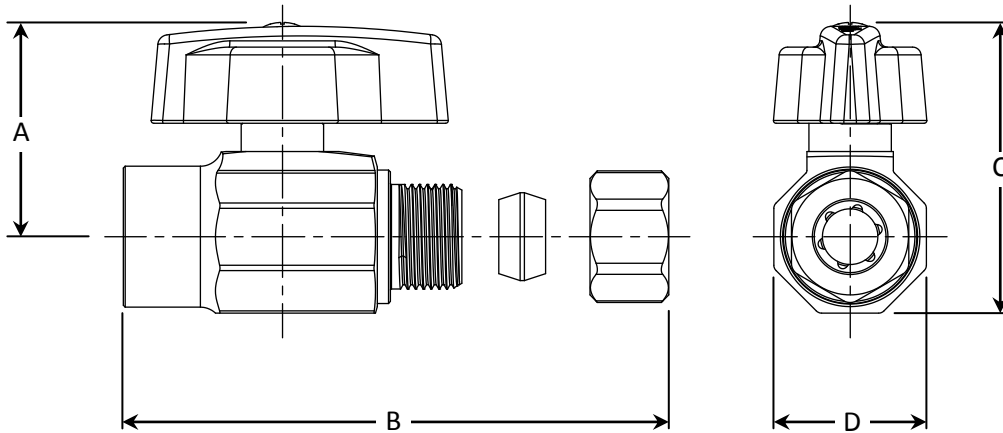
© 2016 BrassCraft Mfg. Co.

KTR04X / KTR14X 1/4 Turn Straight Ball Stop - Sweat x Compression

Part Listing:

- KTR04X R 1/2" nom sweat x 1/4" OD compression, rough brass
- KTR04X RM 1/2" nom sweat x 1/4" OD compression, rough brass, contractor 5 pack
- KTR14X C 1/2" nom sweat x 3/8" OD compression, chrome plated
- KTR14X C1 1/2" nom sweat x 3/8" OD compression, chrome plated, window tray
- KTR14X CM 1/2" nom sweat x 3/8" OD compression, chrome plated, contractor 5 pack
- KTR14L1X CB 1/2" nom sweat x 3/8" OD compression, less nut, chrome plated, bulk
- KTR14X R 1/2" nom sweat x 3/8" OD compression, rough brass
- KTR14X RM 1/2" nom sweat x 3/8" OD compression, rough brass, contractor 5 pack

PART DIMENSIONS (Inches)				
Model	DIM. A	DIM. B	DIM. C	DIM. D
KTR04X	1.14	2.05	1.55	.81
KTR14X	1.14	2.08	1.55	.81



Listings & Certifications:

- IAPMO listed to ASME A112.18.1 / CSA B125.1 (Including NSF 61 and NSF 372)(File 0645)
- CSA listed to ASME A112.18.1 / CSA B125.1 (Including NSF 61 and NSF 372)(File 204593)
- No-lead product CSA listed to NSF 372 (Class 6853-01)



This specification and all information contained herein is the confidential and exclusive property of BrassCraft Manufacturing Co., and shall not be disclosed to others without the written consent of BrassCraft Mfg. This specification must be returned to BrassCraft Mfg. if requested.

400.06 KTR04/14 1/4 Turn Straight Ball Stop - Sweat x Compr REV 04/16

BrassCraft®

© 2016 BrassCraft Mfg. Co.